

DeepFlo™ Series 19 - Steel Wheel Flow



DeepFlo® Series 19 is a medium duty flow rail designed for flow trough storage systems capable of handling pallet loads over 2,000 lbs.

www.dynamicstorage.com

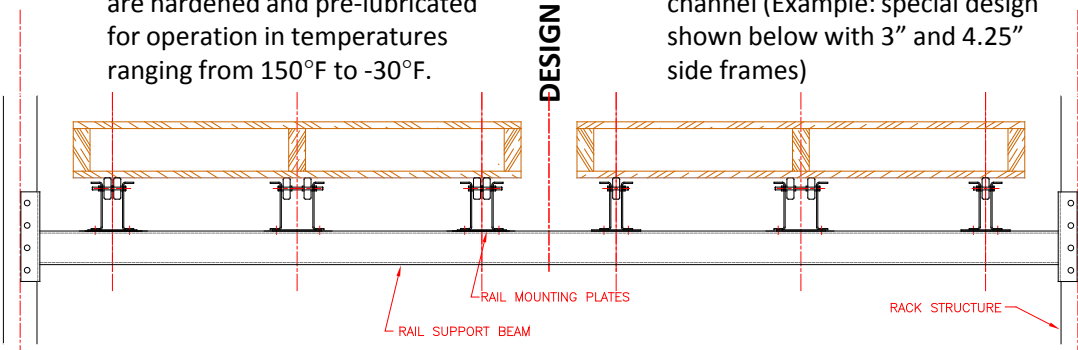
DeepFlo
STORAGE TECHNOLOGY

DSS Pallet Flow Storage Technology is the fastest and most effective system for dynamic warehousing. These systems facilitate the distribution of assorted products. No other warehouse distribution system is easier to manage and provides an ROI in as little as 18 months. Dynamic Storage will help you with your warehousing needs providing customer service and the experience to back up what we do.

- ✓ Flow wheels are zinc plated, 1.9" dia. with 5/8" crowned face
- ✓ Load bearing capacity is rated at 100lbs. Static.
- ✓ Inner and outer bearing races are hardened and pre-lubricated for operation in temperatures ranging from 150°F to -30°F.

DESIGN SPECIFICATIONS

- ✓ Standard Channels - 3" high x 1" flange x 12 gauge galvanized steel
- ✓ Heavy Duty Channels - 4" high x 1" flange x 12 gauge galvanized channel (Example: special design shown below with 3" and 4.25" side frames)



Dynamic Storage Systems Inc.

Call: (800) 974-8211

© 2011 Dynamic Storage Systems, Inc. All rights reserved.